

# US2881

## Bipolar Hall Switch – Very High Sensitivity

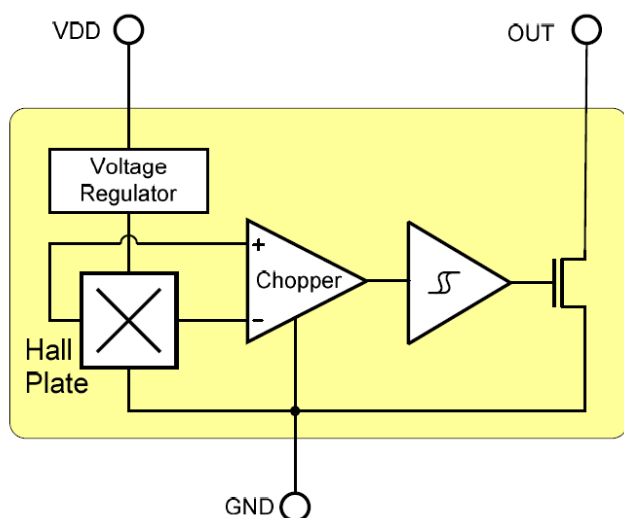
### Features and Benefits

- Wide operating voltage range from 3.5V to 24V
- Very high magnetic sensitivity
- CMOS technology
- Chopper-stabilized amplifier stage
- Low current consumption
- Open drain output
- Thin SOT23 3L and flat TO-92 3L both RoHS Compliant packages

### Applications

- Automotive, Consumer and Industrial
- Solid-state switch
- Brushless DC motor commutation
- Speed detection
- Linear position detection
- Angular position detection
- Proximity detection

### 1. Functional Diagram



### 2. General Description

The Melexis US2881 is a bipolar Hall-effect switch designed in mixed signal CMOS technology.

The device integrates a voltage regulator, Hall sensor with dynamic offset cancellation system, Schmitt trigger and an open-drain output driver, all in a single package.

Thanks to its wide operating voltage range and extended choice of temperature range, it is suitable for use in automotive and consumer applications.

The device is delivered in a Thin Small Outline Transistor (TSOT) for surface mount process and in a Plastic Single In Line (TO-92 flat) for through-hole mount.

Both 3-lead packages are RoHS compliant.

**US2881**

Bipolar Hall Switch – Very High Sensitivity

### 3. Ordering information

Product code	Temperature Code	Package Code	Magnetic option code	Country of Origin (COO)	Packing form code
US2881	E	SE	AA	A-000	RE
US2881	E	UA	AA	A-000	BU
				C-000	
				Z-000	
US2881	L	SE	AA	A-000	RE
US2881	L	UA	AA	A-000	BU
				C-000	
				Z-000	

**Legend:**

Temperature code: L(-40 to 150°C)

E(-40 to 85°C)

Package Code:

SE = TSOT-23L

UA = TO92-3L

COO Option Code:

Z = Dual source from China & Non-China

C = China country of origin

A = Non-China country of origin

Packing Form:

BU = Bulk

RE = Reel

Ordering Example:

US2881EUA-AAC-000-BU: UA package code with China country of origin in Bulk

## Contents

Features and Benefits.....	1
Applications.....	1
1. Functional Diagram.....	1
2. General Description.....	1
3. Ordering information.....	2
4. Glossary of Terms.....	5
5. Absolute Maximum Ratings.....	5
6. Pin Definitions and Descriptions.....	5
7. General Electrical Specifications.....	6
8. Magnetic Specifications.....	6
9. Output Behaviour versus Magnetic Pole.....	6
10. Detailed General Description.....	7
11. Unique Features.....	7
12. Performance Graphs.....	8
12.1. Magnetic parameters vs. $T_A$ .....	8
12.2. Magnetic parameters vs. $V_{DD}$ .....	8
12.3. $V_{DSON}$ vs. $T_A$ .....	8
12.4. $V_{DSON}$ vs. $V_{DD}$ .....	8
12.5. $I_{DD}$ vs. $T_A$ .....	8
12.6. $I_{DD}$ vs. $V_{DD}$ .....	8
12.7. $I_{OFF}$ vs. $T_A$ .....	9
12.8. $I_{OFF}$ vs. $V_{DD}$ .....	9
13. Test Conditions.....	9
13.1. Supply Current.....	9
13.2. Output Saturation Voltage.....	9
13.3. Output Leakage Current.....	9
13.4. Magnetic Thresholds.....	9
14. Application Information.....	10
14.1. Typical Three-Wire Application Circuit.....	10
14.2. Two-Wire Circuit.....	10
14.3. Automotive and Harsh, Noisy Environments Three-Wire Circuit.....	10

**US2881**

Bipolar Hall Switch – Very High Sensitivity

<b>15. Application Comments.....</b>	<b>10</b>
<b>16. Package Information.....</b>	<b>11</b>
16.1. TSOT-3L (SE Package) .....	11
16.1.1. TSOT-3L – package dimensions.....	11
16.1.2. TSOT-3L – Sensitive spot .....	12
16.1.3. TSOT-3L – Package marking .....	12
16.2. TO-92 (UA Package) – Non-China Coo .....	13
16.2.1. TO-92 – Non-China COO – package dimensions.....	13
16.2.2. TO-92 – Non-China COO – Sensitive spot.....	14
16.2.3. TO-92 – Non-China COO – Package marking .....	14
16.3. TO-92 (UA Package) – China COO.....	15
16.3.1. TO-92 – China COO – package dimensions .....	15
16.3.2. TO-92 – China COO – Sensitive spot.....	16
16.3.3. TO-92 – China COO – Package marking.....	16
<b>17. IC handling and assembly.....</b>	<b>17</b>
17.1. Storage and handling of plastic encapsulated ICs.....	17
17.2. Assembly of encapsulated ICs.....	17
17.3. Environment and sustainability.....	17
<b>18. Disclaimer .....</b>	<b>18</b>

# US2881

Bipolar Hall Switch – Very High Sensitivity

## 4. Glossary of Terms

MilliTesla (mT), Gauss	Units of magnetic flux density: 1mT = 10 Gauss
RoHS	Restriction of Hazardous Substances
TSOT	Thin Small Outline Transistor (TSOT package) – also referred with the Melexis package code “SE”
ESD	Electro-Static Discharge
BLDC	Brush-Less Direct-Current
Operating Point ( $B_{OP}$ )	Magnetic flux density applied on the branded side of the package which turns the output driver ON ( $V_{OUT} = V_{DSon}$ )
Release Point ( $B_{RP}$ )	Magnetic flux density applied on the branded side of the package which turns the output driver OFF ( $V_{OUT} = \text{high}$ )
COO	Country of origin

## 5. Absolute Maximum Ratings

Parameter	Symbol	Value	Units
Supply Voltage	$V_{DD}$	28	V
Supply Current	$I_{DD}$	50	mA
Output Voltage	$V_{OUT}$	28	V
Output Current	$I_{OUT}$	50	mA
Storage Temperature Range	$T_S$	-50 to 150	°C
Maximum Junction Temperature	$T_J$	165	°C

Table 1: Absolute maximum ratings

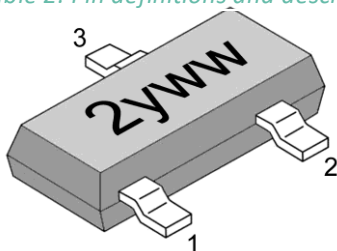
Exceeding the absolute maximum ratings may cause permanent damage. Exposure to absolute-maximum- rated conditions for extended periods may affect device reliability.

Operating Temperature Range	Symbol	Value	Units
Temperature Suffix “E”	$T_A$	-40 to 85	°C
Temperature Suffix “L”	$T_A$	-40 to 150	°C

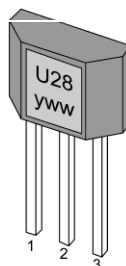
## 6. Pin Definitions and Descriptions

SE Pin No	UA Pin No	Name	Type	Function
1	1	VDD	Supply	Supply Voltage pin
2	3	OUT	Output	Open Drain Output pin
3	2	GND	Ground	Ground pin

Table 2: Pin definitions and descriptions



SE package



UA package

# US2881

Bipolar Hall Switch – Very High Sensitivity

## 7. General Electrical Specifications

DC Operating Parameters  $T_A = 25^\circ\text{C}$ ,  $V_{DD} = 3.5\text{V}$  to  $24\text{V}$  (unless otherwise specified)

Parameter	Symbol	Test Conditions	Min	Typ	Max	Units
Supply Voltage	$V_{DD}$	Operating	3.5	12	24	V
Supply Current	$I_{DD}$	$B < B_{RP}$	1.1	2.6	5	mA
Output Saturation Voltage	$V_{DSon}$	$I_{OUT} = 20\text{mA}$ , $B > B_{OP}$		0.11	0.5	V
Output Leakage Current	$I_{OFF}$	$B < B_{RP}$ , $V_{OUT} = 24\text{V}$		0.01	10	$\mu\text{A}$
Output Rise Time	$t_r$	$R_L = 1\text{k}\Omega$ , $C_L = 20\text{pF}$		0.25		$\mu\text{s}$
Output Fall Time	$t_f$	$R_L = 1\text{k}\Omega$ , $C_L = 20\text{pF}$		0.25		$\mu\text{s}$
Maximum Switching Frequency	$F_{SW}$			10		kHz
SE Package Thermal Resistance	$R_{TH}$	Single layer (1S) Jedec board		301		$^\circ\text{C}/\text{W}$
UA Package Thermal Resistance	$R_{TH}$			200		$^\circ\text{C}/\text{W}$

Table 3: Electrical specifications

## 8. Magnetic Specifications

DC Operating Parameters  $V_{DD} = 3.5\text{V}$  to  $24\text{V}$  (unless otherwise specified)

Parameter	Symbol	Test Conditions	Min	Typ	Max	Units
Operating Point	$B_{OP}$	$T_A = 25^\circ\text{C}$ , E & L spec.	0.5		4.5	mT
Release Point	$B_{RP}$		-4.5		-0.5	mT
Hysteresis	$B_{HYST}$		1.5		6	mT
Operating Point	$B_{OP}$	$T_A = 85^\circ\text{C}$ , E & L spec.	-1		6	mT
Release Point	$B_{RP}$		-6		1	mT
Hysteresis	$B_{HYST}$		1.5		6	mT
Operating Point	$B_{OP}$	$T_A = 150^\circ\text{C}$ , E & L spec.	-2		6	mT
Release Point	$B_{RP}$		-6		2	mT
Hysteresis	$B_{HYST}$		1.5		6	mT

Table 4: Magnetic specifications

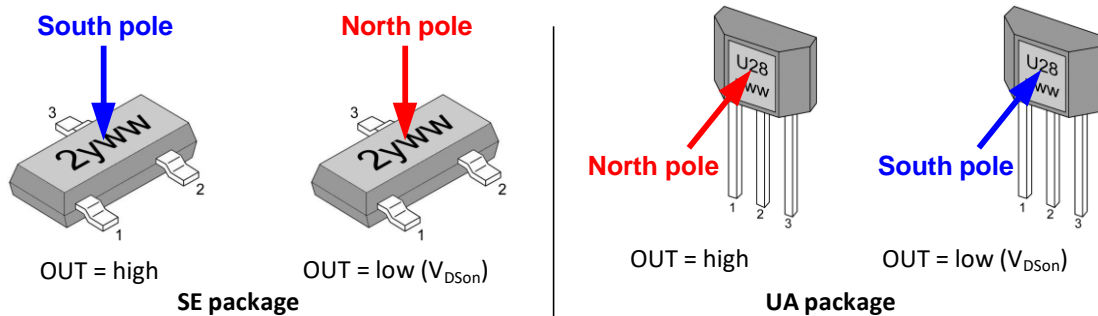
Note: For typical values, please refer to the performance graphs in section 11

## 9. Output Behaviour versus Magnetic Pole

DC Operating Parameters  $T_A = -40\text{C}$  to  $150\text{C}$ ,  $V_{DD} = 3.5\text{V}$  to  $24\text{V}$  (unless otherwise specified)

Parameter	Test Conditions (SE)	OUT (SE)	Test Conditions (UA)	OUT (UA)
South pole	$B < B_{RP}$	High	$B > B_{OP}$	Low
North pole	$B > B_{OP}$	Low	$B < B_{RP}$	High

Table 5: Output behaviour versus magnetic pole



## US2881

Bipolar Hall Switch – Very High Sensitivity

### 10. Detailed General Description

Based on mixed signal CMOS technology, Melexis US2881 is a Hall-effect device with very high magnetic sensitivity. It allows using generic magnets, weak magnets or larger air gap.

The chopper-stabilized amplifier uses switched capacitor technique to suppress the offset generally observed with Hall sensors and amplifiers. The CMOS technology makes this advanced technique possible and contributes to smaller chip size and lower current consumption than bipolar technology. The small chip size is also an important factor to minimize the effect of physical stress.

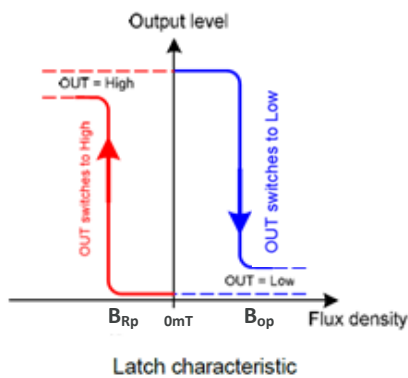
This combination results in more stable magnetic characteristics and enables faster and more precise design.

The wide operating voltage from 3.5V to 24V, “L” and “E” operating temperature range and low current consumption make this device especially suitable for automotive and BLDC motor applications.

The output signal is open-drain type. Such output allows simple connectivity with TTL or CMOS logic by using a pull-up resistor tied between a pull-up voltage and the device output.

### 11. Unique Features

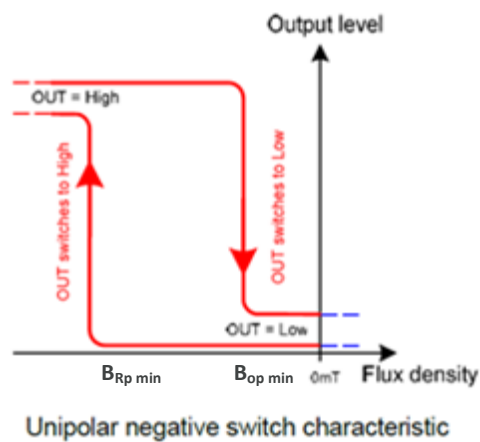
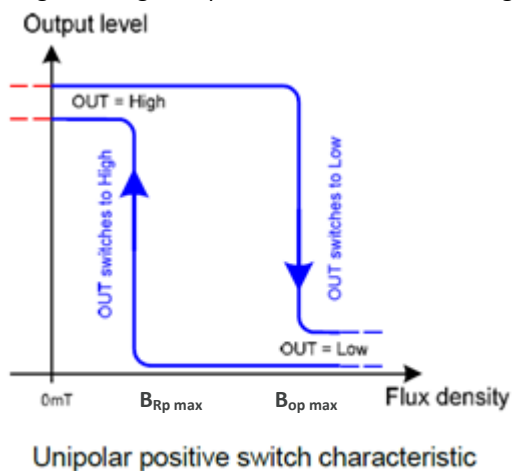
The US2881 exhibits bipolar magnetic switching characteristics. Therefore, it operates with both south and north poles.



Typically, the device behaves as a latch with symmetric operating and release switching points ( $B_{OP} = |B_{RP}|$ ). This means magnetic fields with equivalent strength and opposite direction drive the output high and low.

Removing the magnetic field ( $B \rightarrow 0$ ) keeps the output in its previous state. This latching property defines the device as a magnetic memory.

Depending on the magnetic switching points, the device may also behave as a unipolar positive switch ( $B_{OP}$  and  $B_{RP}$  strictly positive) or negative switch ( $B_{OP}$  and  $B_{RP}$  strictly negative). That is the output can be set high and low by only using one magnetic pole. In such case, removing the magnetic field changes the output level.



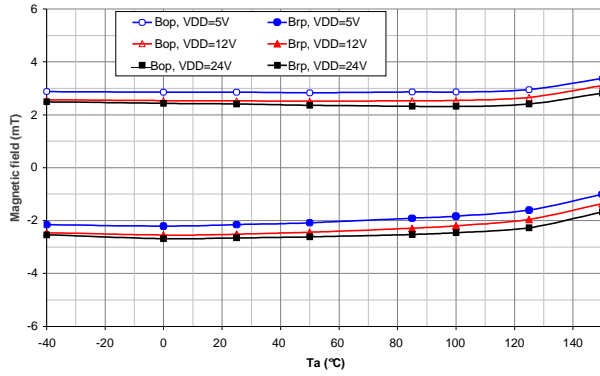
In latch, positive or negative switch behaviour, a magnetic hysteresis  $B_{HYST}$  keeps  $B_{OP}$  and  $B_{RP}$  separated by a minimal value. This hysteresis prevents output oscillation near the switching point.

**US2881**

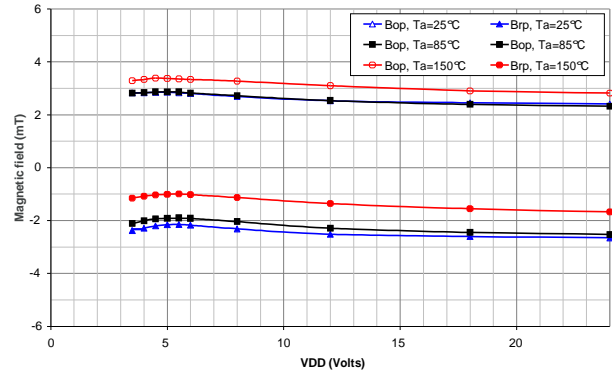
Bipolar Hall Switch – Very High Sensitivity

## 12. Performance Graphs

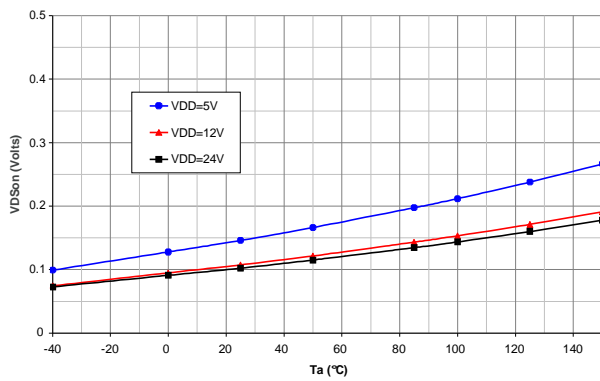
### 12.1. Magnetic parameters vs. $T_A$



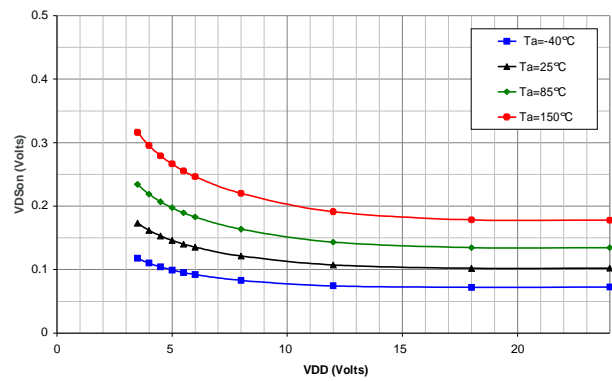
### 12.2. Magnetic parameters vs. $V_{DD}$



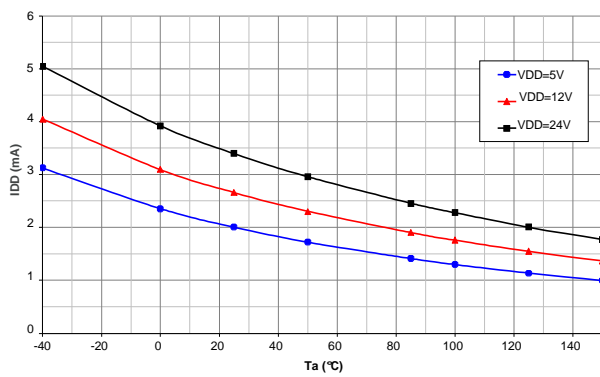
### 12.3. $V_{DSON}$ vs. $T_A$



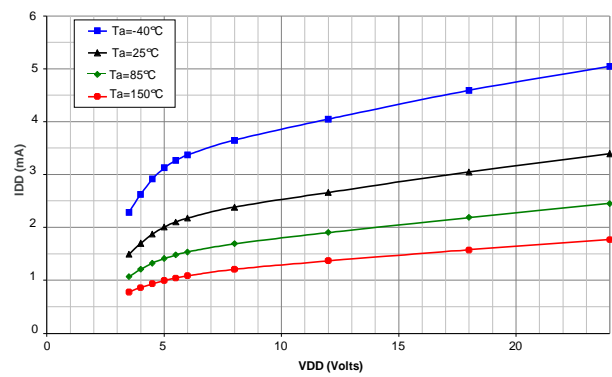
### 12.4. $V_{DSON}$ vs. $V_{DD}$



### 12.5. $I_{DD}$ vs. $T_A$



### 12.6. $I_{DD}$ vs. $V_{DD}$

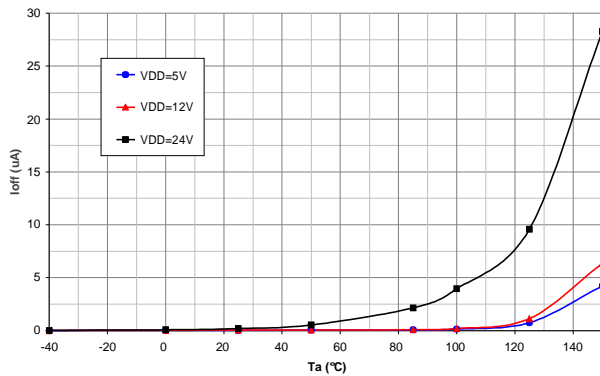




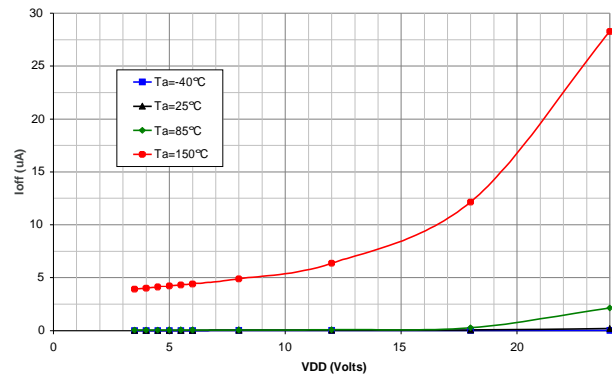
**US2881**

Bipolar Hall Switch – Very High Sensitivity

**12.7.  $I_{OFF}$  VS.  $T_A$**



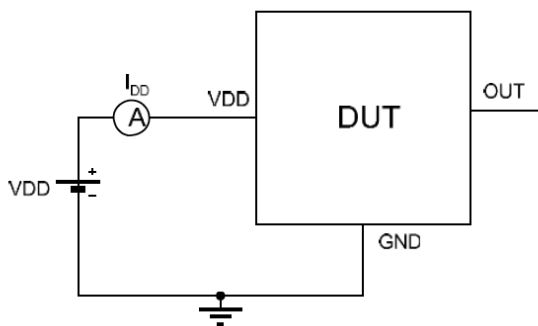
**12.8.  $I_{OFF}$  VS.  $V_{DD}$**



**13. Test Conditions**

Note: DUT = Device Under Test

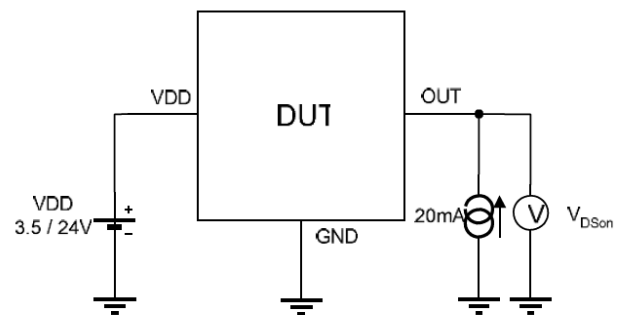
**13.1. Supply Current**



Note 1 - The supply current  $I_{DD}$  represents the static supply current. OUT is left open during measurement.

Note 2 - The device is put under magnetic field with  $B < B_{RP}$ .

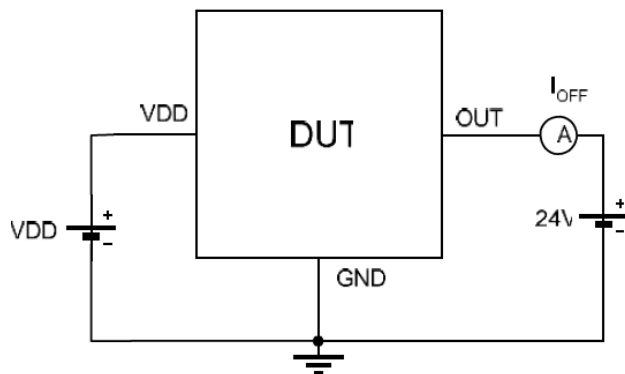
**13.2. Output Saturation Voltage**



Note 1 - The output saturation voltage  $V_{DSon}$  is measured at  $V_{DD} = 3.5V$  and  $V_{DD} = 24V$

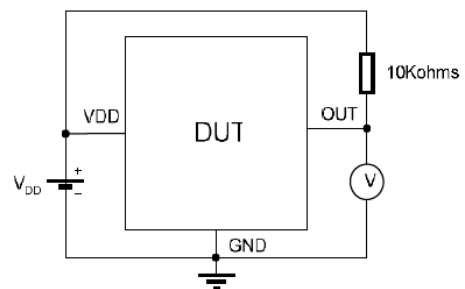
Note 2 - The device is put under magnetic field with  $B > B_{Op}$ .

**13.3. Output Leakage Current**



Note 1 - The device is put under magnetic field with  $B < B_{RP}$

**13.4. Magnetic Thresholds**



Note 1 -  $B_{Op}$  is determined by putting the device under magnetic field swept from  $E_{RFmin}$  up to  $B_{OPmax}$  until the output is switched on.

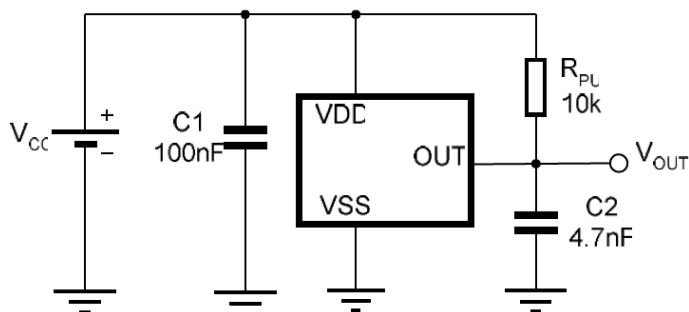
Note 2 -  $B_{Rp}$  is determined by putting the device under magnetic field swept from  $E_{CPmax}$  down to  $B_{RPmin}$  until the output is switched off.

# US2881

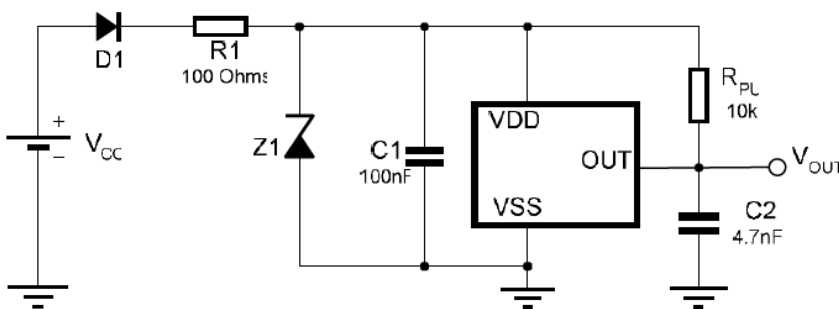
Bipolar Hall Switch – Very High Sensitivity

## 14. Application Information

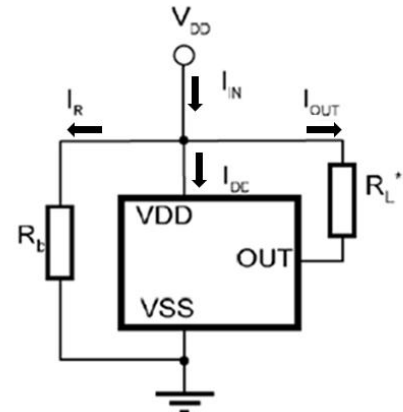
### 14.1. Typical Three-Wire Application Circuit



### 14.3. Automotive and Harsh, Noisy Environments Three-Wire Circuit



### 14.2. Two-Wire Circuit



Note:

With this circuit, precise ON and OFF currents can be detected using only two connecting wires.

The resistors  $R_L$  and  $R_b$  can be used to bias the input current. Refer to the part specifications for limiting values.

$$B_{RP}: I_{OFF} = I_R + I_{DD} = V_{DD}/R_b + I_{DD}$$

$$B_{OP}: I_{ON} = I_{OFF} + I_{OUT} = I_{OFF} + V_{DD}/R_L$$

## 15. Application Comments

For proper operation, a 100nF bypass capacitor should be placed as close as possible to the device between the  $V_{DD}$  and ground pin.

For reverse voltage protection, it is recommended to connect a resistor or a diode in series with the  $V_{DD}$  pin. When using a resistor, three points are important:

- the resistor has to limit the reverse current to 50mA maximum ( $V_{CC} / R1 \leq 50mA$ )
- the resulting device supply voltage  $V_{DD}$  has to be higher than  $V_{DD\ min}$  ( $V_{DD} = V_{CC} - R1 \cdot I_{DD}$ )
- the resistor has to withstand the power dissipated in reverse voltage condition ( $P_D = V_{CC}^2 / R1$ )

When using a diode, a reverse current cannot flow and the voltage drop is almost constant ( $\approx 0.7V$ ).

Therefore, a 100 $\Omega$ /0.25W resistor for 5V application and a diode for higher supply voltage are recommended. Both solutions provide the required reverse voltage protection.

When a weak power supply is used or when the device is intended to be used in noisy environment, it is recommended that figure 13.3 from the Application Information section is used.

The low-pass filter formed by  $R1$  and  $C1$  and the zener diode  $Z1$  bypass the disturbances or voltage spikes occurring on the device supply voltage  $V_{DD}$ . The diode  $D1$  provides additional reverse voltage protection.

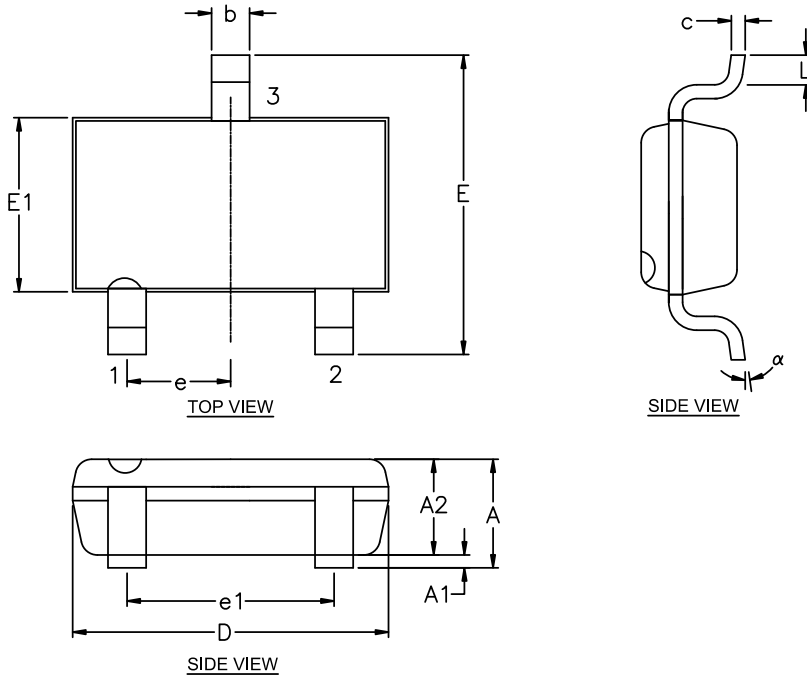
**US2881**

Bipolar Hall Switch – Very High Sensitivity

**16. Package Information**

**16.1. TSOT-3L (SE Package)**

**16.1.1. TSOT-3L – package dimensions**



SYMBOL	MINIMUM	MAXIMUM
A	---	1.00
A1	0.025	0.10
A2	0.85	0.90
D	2.80	3.00
E	2.60	3.00
E1	1.50	1.70
L	0.30	0.50
b	0.30	0.45
c	0.10	0.20
e	0.95 BSC	
e1	1.90 BSC	
α	0°	8°

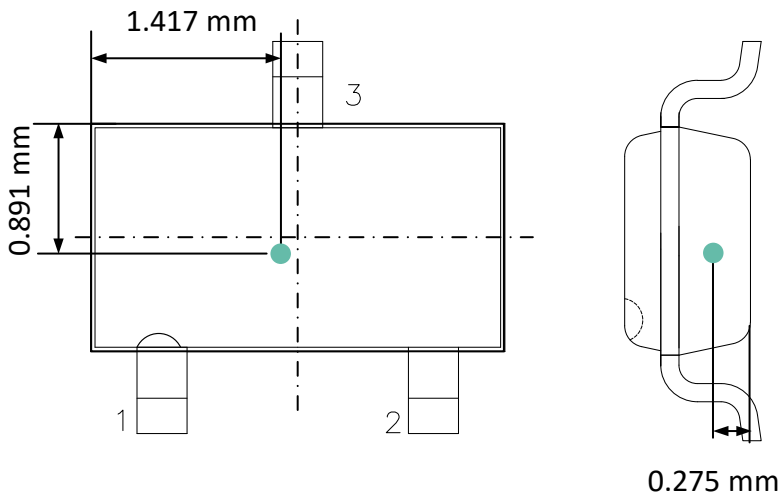
NOTE :

1. ALL DIMENSIONS IN MILLIMETERS (mm) UNLESS OTHERWISE STATED.
2. DIMENSION D DOES NOT INCLUDE MOLD FLASH OR PROTRUSIONS OF MAX 0.15 mm PER SIDE.
3. DIMENSION E1 DOES NOT INCLUDE MOLD FLASH OR PROTRUSIONS OF MAX 0.25 mm PER SIDE.
4. DIMENSION b DOES NOT INCLUDE DAMBAR PROTRUSION OF MAX 0.07 mm.
5. DIMENSION L IS THE LENGTH OF THE TERMINAL FOR SOLDERING TO A SUBSTRATE.
6. FORMED LEAD SHALL BE PLANAR WITH RESPECT TO ONE ANOTHER WITH 0.076 mm SEATING PLANE.

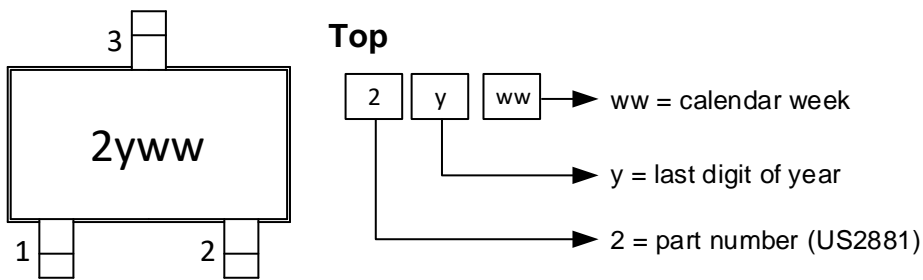
**US2881**

Bipolar Hall Switch – Very High Sensitivity

**16.1.2. TSOT-3L – Sensitive spot**



**16.1.3. TSOT-3L – Package marking**

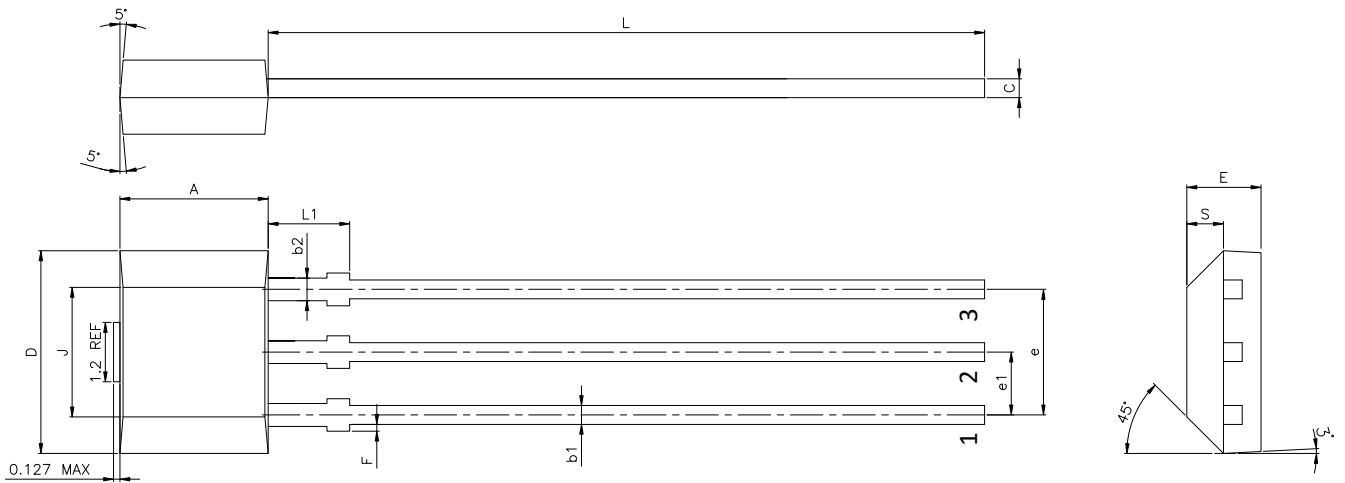


**US2881**

Bipolar Hall Switch – Very High Sensitivity

**16.2. TO-92 (UA Package) – Non-China Coo**

**16.2.1. TO-92 – Non-China COO – package dimensions**



S Y M B O L	MINIMUM	MAXIMUM
A	2.80	3.20
D	3.90	4.30
E	1.40	1.60
F	0.00	0.20
J	2.51	2.72
L	14.00	15.00
L1	1.55	1.75
S	0.63	0.84
b1	0.35	0.44
b2	0.43	0.52
c	0.35	0.44
e	2.51	2.57
e1	1.24	1.30

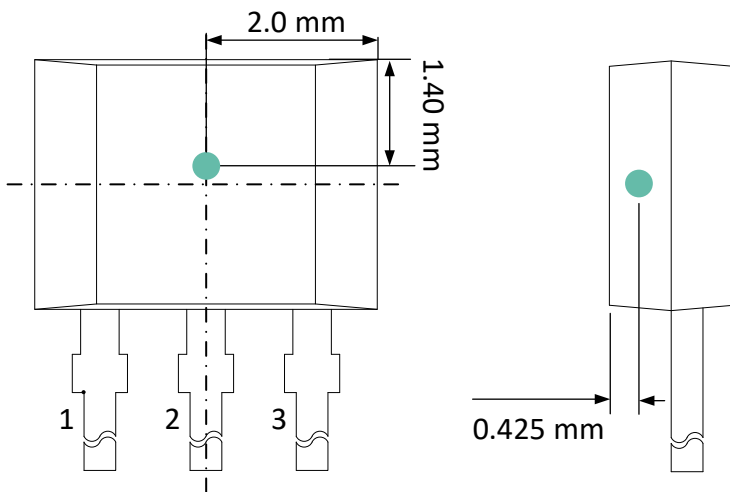
NOTE :

1. DIMENSIONS IN MILLIMETERS (mm) UNLESS NOTED OTHERWISE.
2. PACKAGE DIMENSIONS DO NOT INCLUDE MOLD FLASHES AND PROTRUSIONS.
3. DIMENSION A AND D DO NOT INCLUDE MOLD GATE AND SIDE FLASH (PROTRUSION) of MAXIMUM 0.127 mm PER SIDE.
4. THE LEADS MAY BE SLIGHTLY DEFORMED DURING TRANSPORTATION IF PACKED IN BULK (BAG), AFFECTING e1 DIMENSION. IT IS RECOMMENDED TO ORDER RADIAL TAPE (REEL OR AMMOPACK) IF SUCH DEFORMATION IS CRITICAL FOR THE LEAD FORMING PROCESS, EVEN IF MANUAL LOADING INTO THE TOOL IS FORESEEN.

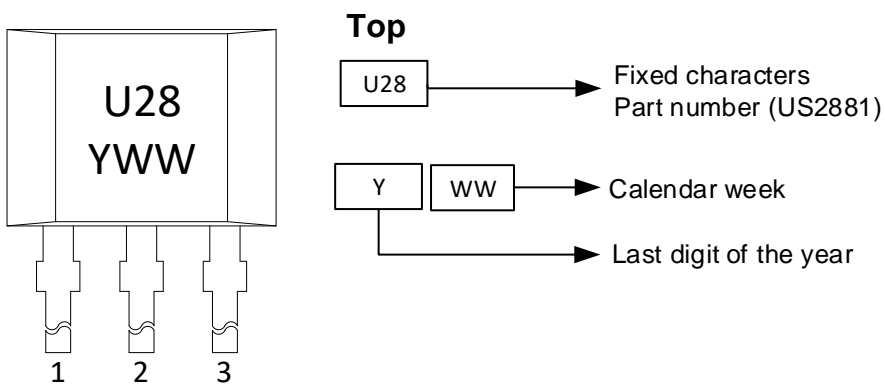
**US2881**

Bipolar Hall Switch – Very High Sensitivity

**16.2.2. TO-92 – Non-China COO – Sensitive spot**



**16.2.3. TO-92 – Non-China COO – Package marking**

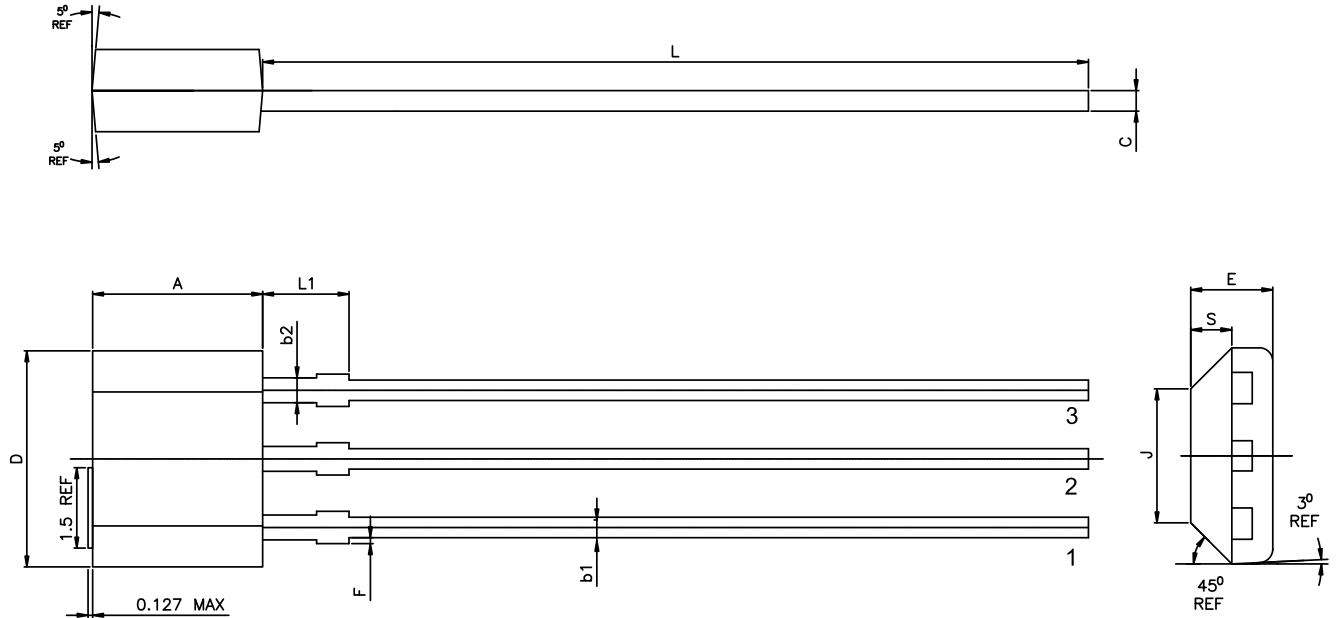


**US2881**

Bipolar Hall Switch – Very High Sensitivity

**16.3. TO-92 (UA Package) – China COO**

**16.3.1. TO-92 – China COO – package dimensions**



**NOTE :**

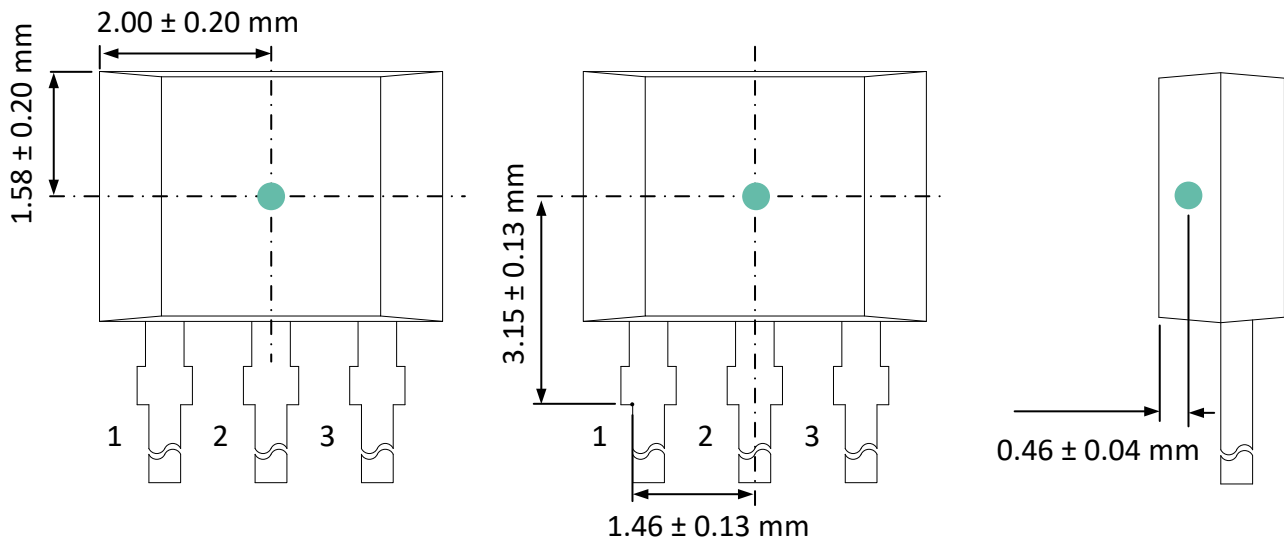
1. DIMENSIONS IN MILLIMETERS (mm) UNLESS NOTED OTHERWISE.
2. PACKAGE DIMENSIONS DO NOT INCLUDE MOLD FLASHES AND PROTRUSIONS.
3. DIMENSION A AND D DO NOT INCLUDE MOLD GATE AND SIDE FLASH (PROTRUSION) of MAXIMUM 0.127 mm PER SIDE.
4. THE LEADS MAY BE SLIGHTLY DEFORMED DURING TRANSPORTATION IF PACKED IN BULK (BAG), AFFECTING e1 DIMENSION. IT IS RECOMMENDED TO ORDER RADIAL TAPE (REEL OR AMMOPACK) IF SUCH DEFORMATION IS CRITICAL FOR THE LEAD FORMING PROCESS, EVEN IF MANUAL LOADING INTO THE TOOL. IS FORESEEN

SYMBOL	MINIMUM		MAXIMUM	
A	3.05		3.25	
D	3.90		4.10	
E	1.42		1.62	
F	---		0.15	
J	2.48 REF			
L	15.10		15.50	
L1	---		1.75	
S	0.66		0.86	
b1	0.33		0.48	
b2	0.40		0.53	
c	0.38		0.43	
e	2.54 BSC			
e1	1.27 BSC			

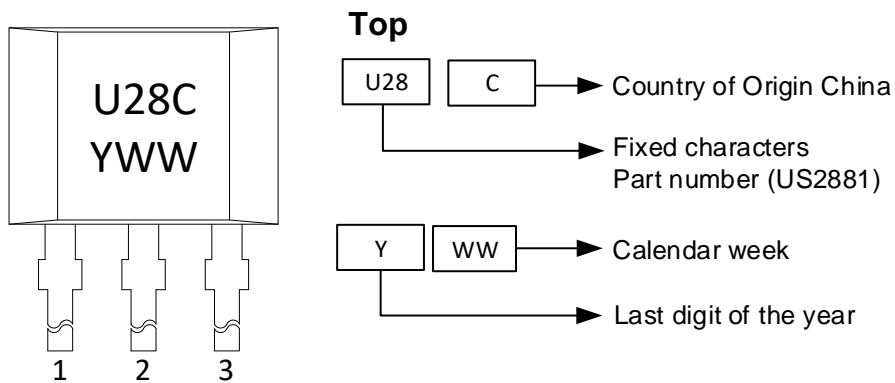
**US2881**

Bipolar Hall Switch – Very High Sensitivity

**16.3.2. TO-92 – China COO – Sensitive spot**



**16.3.3. TO-92 – China COO – Package marking**





## 17. IC handling and assembly

### 17.1. Storage and handling of plastic encapsulated ICs

Plastic encapsulated ICs shall be stored and handled according to their MSL categorization level (specified in the packing label) as per J-STD-033.

Electronic semiconductor products are sensitive to Electro Static Discharge (ESD). The component assembly shall be handled in EPA (Electrostatic Protected Area) as per ANSI S20.20

For more information refer to Melexis [Guidelines for storage and handling of plastic encapsulated ICs](#)<sup>(1)</sup>

### 17.2. Assembly of encapsulated ICs

For Surface Mounted Devices (SMD, as defined according to JEDEC norms), the only applicable soldering method is reflow.

For Through Hole Devices (THD), the applicable soldering methods are reflow, wave, selective wave and robot point-to-point. THD lead pre-forming (cutting and/or bending) is applicable under strict compliance with Melexis [Guidelines for lead forming of SIP Hall Sensors](#)<sup>(1)</sup>.

Melexis products soldering on PCB should be conducted according to the requirements of IPC/JEDEC and J-STD-001. Solder quality acceptance should follow the requirements of IPC-A-610.

For PCB-less assembly refer to the relevant application notes <sup>(1)</sup> or contact Melexis.

Electrical resistance welding or laser welding can be applied to Melexis products in THD and specific PCB-less packages following the [Guidelines for welding of PCB-less devices](#)<sup>(1)</sup>.

Environmental protection of customer assembly with Melexis products for harsh media application, is applicable by means of coating, potting or overmolding considering restrictions listed in the relevant application notes <sup>(1)</sup>

For other specific process, contact Melexis via [www.melexis.com/technical-inquiry](http://www.melexis.com/technical-inquiry)

### 17.3. Environment and sustainability

Melexis is contributing to global environmental conservation by promoting non-hazardous solutions. For more information on our environmental policy and declarations (RoHS, REACH...) visit [www.melexis.com/environmental-forms-and-declarations](http://www.melexis.com/environmental-forms-and-declarations)

---

<sup>1</sup> [www.melexis.com/ic-handling-and-assembly](http://www.melexis.com/ic-handling-and-assembly)

## 18. Disclaimer

*The content of this document is believed to be correct and accurate. However, the content of this document is furnished "as is" for informational use only and no representation, nor warranty is provided by Melexis about its accuracy, nor about the results of its implementation. Melexis assumes no responsibility or liability for any errors or inaccuracies that may appear in this document. Customer will follow the practices contained in this document under its sole responsibility. This documentation is in fact provided without warranty, term, or condition of any kind, either implied or expressed, including but not limited to warranties of merchantability, satisfactory quality, non-infringement, and fitness for purpose. Melexis, its employees and agents and its affiliates' and their employees and agents will not be responsible for any loss, however arising, from the use of, or reliance on this document. Notwithstanding the foregoing, contractual obligations expressly undertaken in writing by Melexis prevail over this disclaimer.*

*This document is subject to change without notice, and should not be construed as a commitment by Melexis. Therefore, before placing orders or prior to designing the product into a system, users or any third party should obtain the latest version of the relevant information.*

*Users or any third party must determine the suitability of the product described in this document for its application, including the level of reliability required and determine whether it is fit for a particular purpose.*

*This document as well as the product here described may be subject to export control regulations. Be aware that export might require a prior authorization from competent authorities. The product is not designed, authorized or warranted to be suitable in applications requiring extended temperature range and/or unusual environmental requirements. High reliability applications, such as medical life-support or life-sustaining equipment or avionics application are specifically excluded by Melexis. The product may not be used for the following applications subject to export control regulations: the development, production, processing, operation, maintenance, storage, recognition or proliferation of:*

- 1. chemical, biological or nuclear weapons, or for the development, production, maintenance or storage of missiles for such weapons;*
- 2. civil firearms, including spare parts or ammunition for such arms;*
- 3. defense related products, or other material for military use or for law enforcement;*
- 4. any applications that, alone or in combination with other goods, substances or organisms could cause serious harm to persons or goods and that can be used as a means of violence in an armed conflict or any similar violent situation.*

*No license nor any other right or interest is granted to any of Melexis' or third party's intellectual property rights.*

*If this document is marked "restricted" or with similar words, or if in any case the content of this document is to be reasonably understood as being confidential, the recipient of this document shall not communicate, nor disclose to any third party, any part of the document without Melexis' express written consent. The recipient shall take all necessary measures to apply and preserve the confidential character of the document. In particular, the recipient shall (i) hold document in confidence with at least the same degree of care by which it maintains the confidentiality of its own proprietary and confidential information, but no less than reasonable care; (ii) restrict the disclosure of the document solely to its employees for the purpose for which this document was received, on a strictly need to know basis and providing that such persons to whom the document is disclosed are bound by confidentiality terms substantially similar to those in this disclaimer; (iii) use the document only in connection with the purpose for which this document was received, and reproduce document only to the extent necessary for such purposes; (iv) not use the document for commercial purposes or to the detriment of Melexis or its customers. The confidentiality obligations set forth in this disclaimer will have indefinite duration and in any case they will be effective for no less than 10 years from the receipt of this document.*

*This disclaimer will be governed by and construed in accordance with Belgian law and any disputes relating to this disclaimer will be subject to the exclusive jurisdiction of the courts of Brussels, Belgium.*

*The invalidity or ineffectiveness of any of the provisions of this disclaimer does not affect the validity or effectiveness of the other provisions.*

*The previous versions of this document are repealed.*

*Melexis © - No part of this document may be reproduced without the prior written consent of Melexis. (2024)  
IATF 16949 and ISO 14001 Certified*

For the latest revision of this document, visit [www.melexis.com/US2881](http://www.melexis.com/US2881)

Happy to help you! [www.melexis.com/contact](http://www.melexis.com/contact)