

Features and Benefits

Utility to make first magnetic evaluations

90215 4-SIP-VA

90244 4-SIP-VA

90251 4-SIP-VA

90265 SO8

90277 TSSOP14

Easy to modify or make own socket board

Applications

Additional utility for PTC04 in order to easy connect devices

Additional utility to make magnetic investigation on first samples

Ordering Information

Part No.

PTC-TestBench-Magnetic

Description

Utility for evaluating samples on PTC04

Accessories

Part No.

Magnet-T01

Magnet-T02

Magnet-T03

PTC-TestBench-4SIP-0x

PTC-TestBench-TSSOP-SO8-0x

Description

Magnet for testing Vertical packaged devices (4-SIP-VA, VB, and VC).

Magnet for testing Horizontal packaged devices with a perpendicular field (SO, TSSOP...).

Magnet for testing Horizontal packaged devices with a rotating field (SO, TSSOP...).

PCB with 4-SIP socket.

PCB with SO8 socket and TSSOP16 Socket.

1. Functional Description

The target for this tool is to support our customer in making an evaluation on our products. It must help to get a feeling in the capability of our products.

Theoretic, you only need this once to be able to evaluate any Melexis programmable hall product.

NOTE: This tool cannot be used to make perfect calibrations because we cannot guarantee the values of the magnets.

TABLE OF CONTENTS

FEATURES AND BENEFITS	1
APPLICATIONS.....	1
ORDERING INFORMATION.....	1
ACCESSORIES	1
1. FUNCTIONAL DESCRIPTION	1
2. GLOBAL DESCRIPTION	3
3. TESTBENCH DESCRIPTION.....	3
3.1. MECHANICAL OUTLINES	3
4. CABLE DESCRIPTION	4
5. PCB DESCRIPTIONS.....	5
5.1. PTC-TESTBENCH-4SIP-XX.....	5
5.2. PTC-TESTBENCH-TSSOP-SO8-XX	6
6. MAGNET DESCRIPTIONS.....	7
6.1. MAGNET T01 (VERTICAL U - MAGNET FOR SIP)	7
6.1.1. <i>Mechanical Drawings</i>	7
6.1.2. <i>Magnetic Parameters</i>	7
6.2. MAGNET T02 (HORIZONTAL H - MAGNET FOR SO, TSSOP...)	8
6.2.1. <i>Mechanical Drawings</i>	8
6.2.2. <i>Magnetic Parameters</i>	8
6.3. MAGNET T03 (HORIZONTAL O - MAGNET FOR SO, TSSOP...)	9
6.3.1. <i>Mechanical Drawings</i>	9
6.3.2. <i>Magnetic Parameters</i>	9
7. DISCLAIMER.....	10

2. Global description

The Testbench is a mechanical setup to allow customers to make first trials with their Melexis samples. Once the evaluations are done, customers can connect their application (or even the full process) on a similar way to the PTC0x.

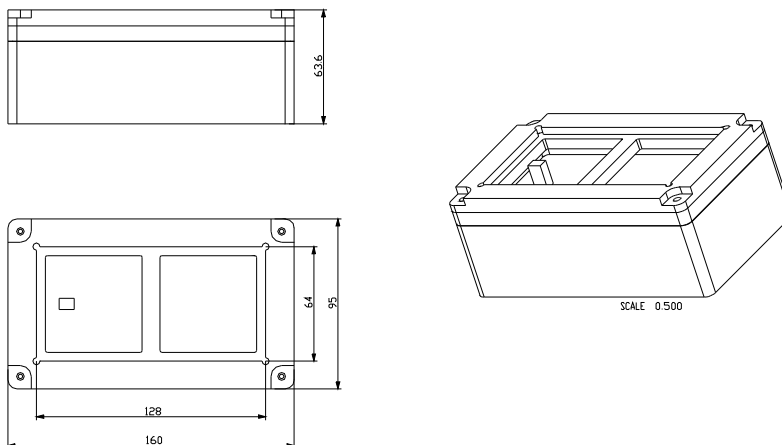
The mechanical block is a low cost mechanical platform making it possible to evaluate Melexis devices based on a repeatable field.

The PCB is easy to be replaced by a PCB with other sockets or even with your own PCBs. Four aluminium screws on the top give access to disassemble and assemble.

The absolute value of the magnetic field cannot be guaranteed. This is similar like in most real applications where the absolute field is not the most important but the position.

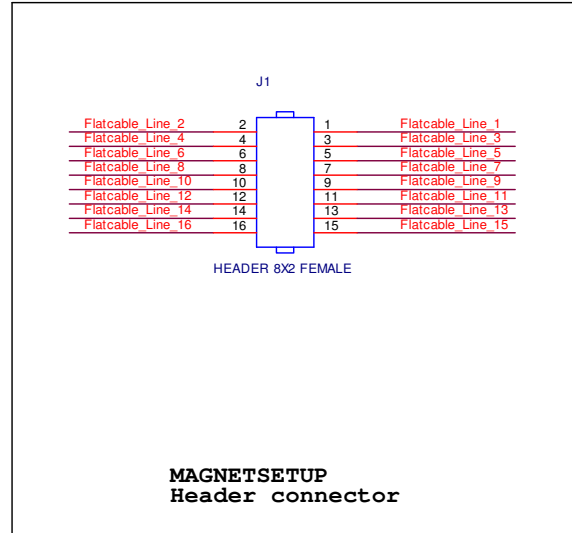
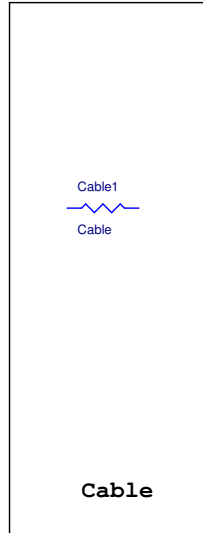
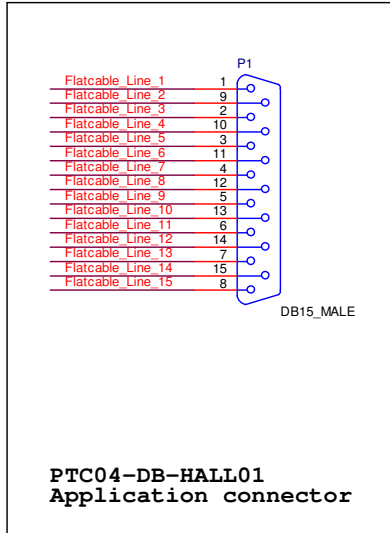
3. TestBench description

3.1. Mechanical Outlines



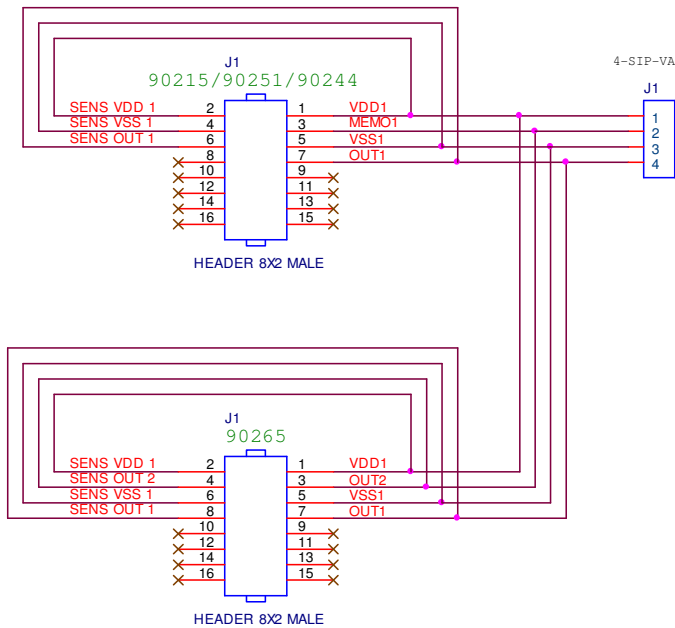
4. Cable Description

The cable makes the connection between and the PTC04.
 The Header Connector will be plugged in on the TestBench PCB's.
 Similar Cable can be made for own setups.



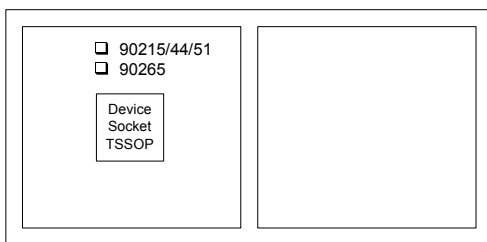
5. PCB Descriptions

5.1. PTC-TestBench-4SIP-xx

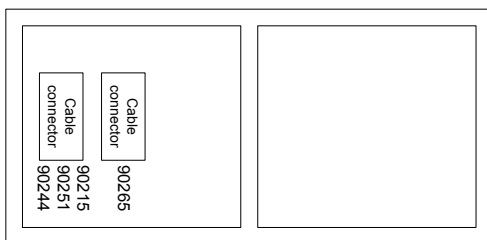


Layout PCB

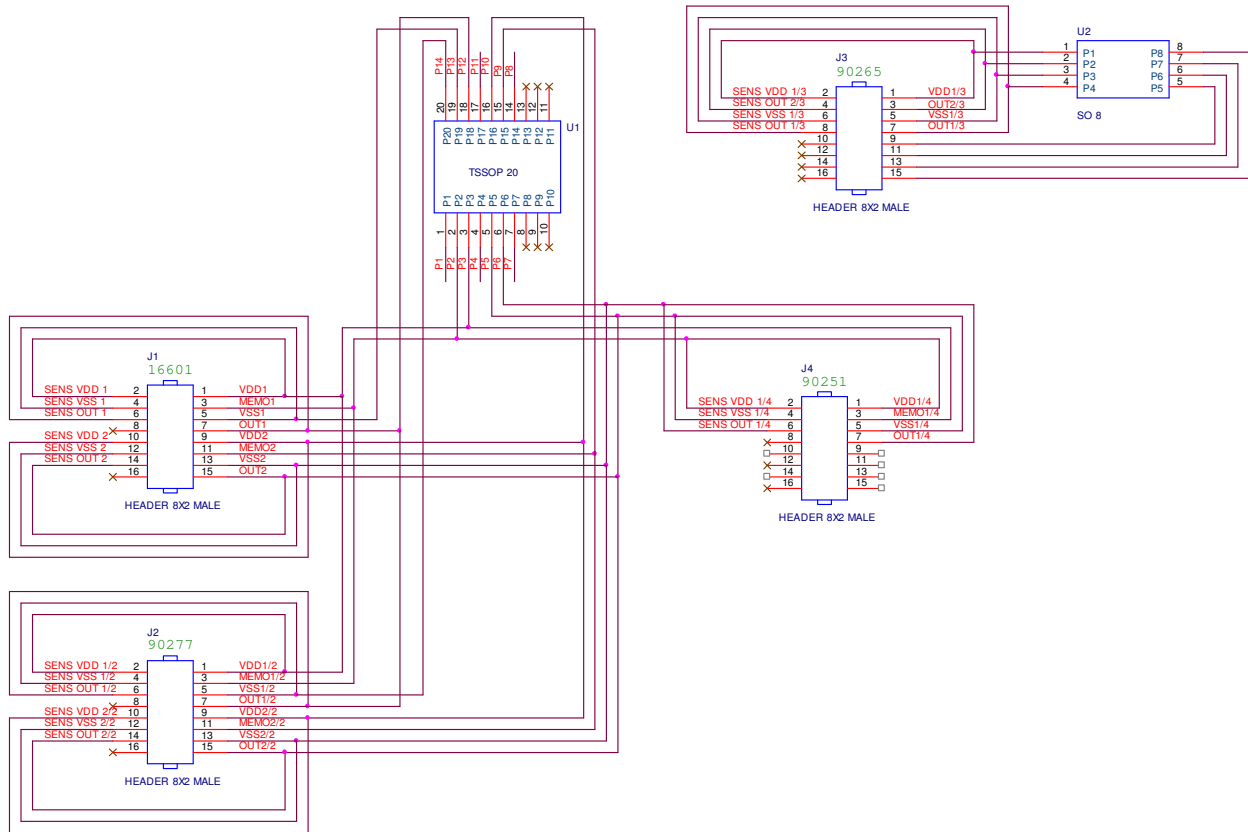
Top Side



Bottom Side

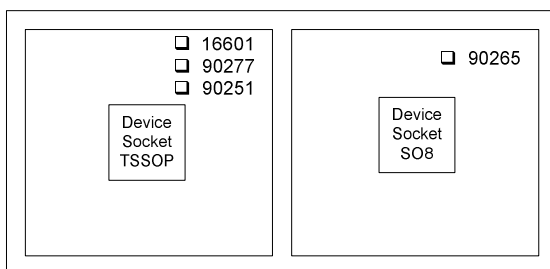


5.2. PTC-TestBench-TSSOP-SO8-xx

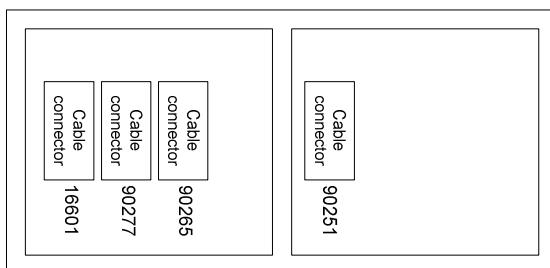


Layout PCB

Top Side



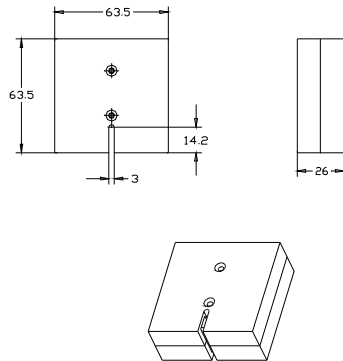
Bottom Side



6. Magnet descriptions

6.1. Magnet T01 (Vertical U - Magnet for SIP)

6.1.1. Mechanical Drawings



6.1.2. Magnetic Parameters

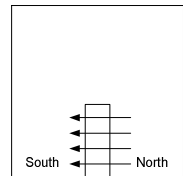
The block is configurable to 5 different field strengths. This is done by mixing the direction of the 4 internal magnets (You have access by opening the Block).

All these configurations are not accurate and so not ideal to make exact calibrations. They are only for an indication.

The default configuration as delivered by Melexis is configuration 5.

Legend

- +: Positive direction
- : Negative direction
- 0: No Magnet
- : No Magnet



Configuration 1:

Field: 0 Gauss +/- 10 Gauss

Magnet orientation

+	+
-	-

Configuration 2:

Field: 75 Gauss +/- 10%

Magnet orientation

+	+
-	

Configuration 3:

Field: 150 Gauss +/- 10%
Magnet orientation

+	+
+	-

Configuration 4:

Field: 230 Gauss +/- 10%
Magnet orientation

+	+
+	

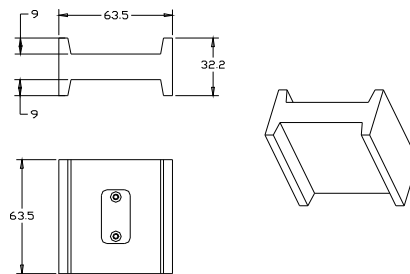
Configuration 5:

Field: 300 Gauss +/- 10%
Magnet orientation

+	+
+	+

6.2. Magnet T02 (Horizontal H - Magnet for SO, TSSOP...)

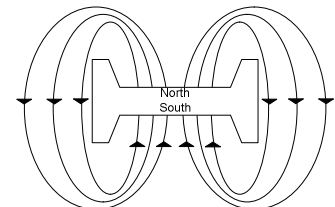
6.2.1. Mechanical Drawings



6.2.2. Magnetic Parameters

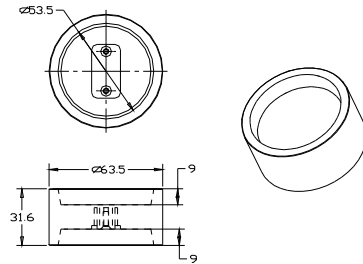
This magnet is not accurate and so not ideal to make exact calibrations. It's only an indicative.

For the SO and TSSOP Sockets, the devices get 750 Gauss +/- 10%.



6.3. Magnet T03 (Horizontal O - Magnet for SO, TSSOP...)

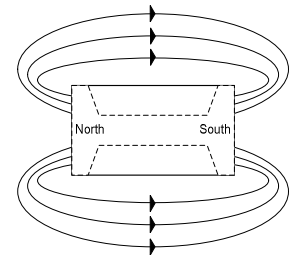
6.3.1. Mechanical Drawings



6.3.2. Magnetic Parameters

This magnet is not accurate and so not ideal to make exact calibrations. It's only an indicative.

For the SO and TSSOP Sockets, the devices get 300 Gauss +/- 10%



7. Disclaimer

Devices sold by Melexis are covered by the warranty and patent indemnification provisions appearing in its Term of Sale. Melexis makes no warranty, express, statutory, implied, or by description regarding the information set forth herein or regarding the freedom of the described devices from patent infringement. Melexis reserves the right to change specifications and prices at any time and without notice. Therefore, prior to designing this product into a system, it is necessary to check with Melexis for current information. This product is intended for use in normal commercial applications. Applications requiring extended temperature range, unusual environmental requirements, or high reliability applications, such as military, medical life-support or life-sustaining equipment are specifically not recommended without additional processing by Melexis for each application.

The information furnished by Melexis is believed to be correct and accurate. However, Melexis shall not be liable to recipient or any third party for any damages, including but not limited to personal injury, property damage, loss of profits, loss of use, interrupt of business or indirect, special incidental or consequential damages, of any kind, in connection with or arising out of the furnishing, performance or use of the technical data herein. No obligation or liability to recipient or any third party shall arise or flow out of Melexis' rendering of technical or other services.

© 2009 Melexis NV. All rights reserved.

For the latest version of this document, go to our website at
www.melexis.com

For additional information contact Melexis Direct:

Europe, Africa, Asia:
Phone: +32 13 670 495
E-mail: sales_europe@melexis.com

America:
Phone: +1 603 223 2362
E-mail: sales_usa@melexis.com

ISO/TS 16949 and ISO14001 Certified